



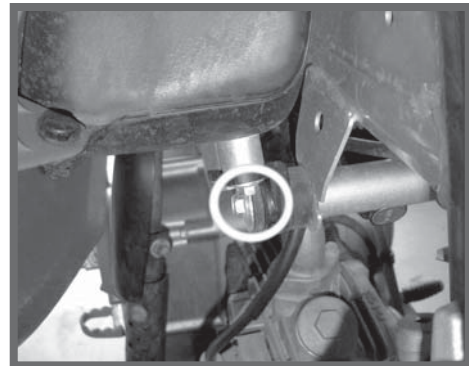
INSTALLATION

XR/CRF 70/XTREME 107 iSHOCK

PLEASE FOLLOW THESE DIRECTIONS CAREFULLY. FAILURE TO DO SO MAY RESULT IN PERSONAL INJURY
DAMAGE TO YOUR VEHICLE AND VOID ALL WARRANTY.

1

STEP 1:
Remove seat.

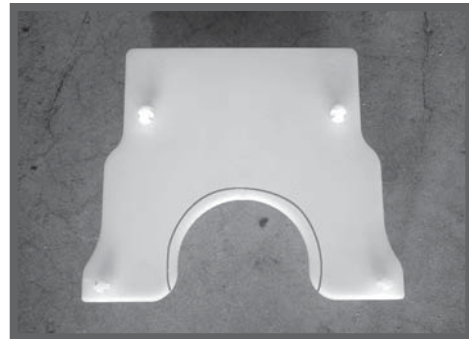


2

STEP 2:
Loosen the gas tank to allow easy removal and
installation of the upper mounting hardware.

3

STEP 3:
Remove stock shock.

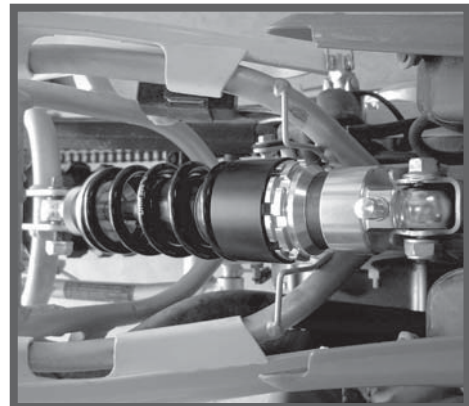


4

STEP 4:
Trim white plastic roost guard for clearance.
Unsnap from frame and trim 1/4" from radius.

5

STEP 5:
Install the iShock using the stock hardware with
the rebound knob at the swing arm.



6

STEP 5:
Bolt the gas tank back in place and reinstall the seat.